

## 9 Warranty Card

**WARRANTY CERTIFICATE** **E GATE®**

The manufacturer warrants this product to be free from defects in material and manufacturer's workmanship for a period of **1 year** from the date of purchase. This warranty is subject to proper installation and usage as it is intended to be and as mentioned on the Egate's website. The manufacturer will not be liable for any special, incidental or consequential damages in any way related to or arising out of, defects in, or damage to the unit. This is a back to bench warranty, to be brought in at Egate service centre in Ghaziabad.

Name: ..... Tel: ..... Model: .....  
 Pur.Date: ..... Inv.No: ..... S.No: .....

Scan to Register  
This Certificate is valid only after mandatory  
warranty registration within 15 days of  
purchase

For Support : call at 706 517 9993 /4 / 5 or mail at support@egin.in  
 For warranty policy please visit company website www.egate-world.com  
 E&OE: Any matter of legal dispute will be entertained in the jurisdiction of Ghaziabad court only.

**1 YEAR WARRANTY**

## Simple Troubleshooting

1. Faults: Power failure  
 Troubleshooting:  
 Check whether the power cord is plugged in place and the switch is on.
2. Faults: Power-on failure  
 Troubleshooting:  
 Check whether the remote control has battery and the polarity is correct.
3. Faults: Network connection failure  
 Troubleshooting:  
 1. Check whether Wi-Fi is open.  
 2. Check whether password is correct.  
 3. Restart the router.
4. Faults: Successful connection but access failure (Wi-Fi card)  
 Troubleshooting: 1. Check whether network environment is normal and the mobile phones and computers are normal.  
 2. Restart the router.  
 3. Restart the projector.

## 8 Maintenance and Simple Trouble shooting of Projector

Smart projector is a high-tech product integrating precision optics, electronics and machinery. The improper maintenance of the projector during the daily use will affect its service life and effects. For the maintenance, important attention shall be paid to:

1. Dust prevention: Excessive dust will affect the heat dissipation of the projector due to environmental impact. It is suggested to clean its dust filter for one and half months according to the actual environment.
2. Ventilation: As the projector integrates the sound & photo-electricity, the optical source will produce heat during its operation. Therefore, during the installation and use, it shall be ensured that no objects around will block the air inlet and outlet of the projector as the heat dissipation depends on cold air convection to improve it working stability and service life.
3. Lens maintenance: Lens, as the core component of the projector, is directly related to the picture definition and effect. The excessive dust thereon will affect image quality. The dirty lens shall be wiped with soft cotton cloth for the glass lens surface. Hard cloth or abrasives shall not be used.
4. Cleaning: Excessive dust on the projector surface shall be cleaned in a timely manner, as it will affect the heat dissipation.
5. Moisture protection: The projector is vulnerable to the damp air. Its operating humidity is about 45%-60%. The too damp air will affect its working stability.
6. Vibration prevention: The projector shall be strictly protected from strong impact, extrusion and vibration. Try not to move and knock the projector during its normal operation, which will cause the internal circuit faults.

## 7 Screen Mirroring(Android Miracast)

### Miracast:

This function could make projector and Android phone/Android Pad share the same screen.

Use Miracast(projector & phone).

- Step 1:** projector, settings → WLAN → turn on the WIFI, don't connect the network;
- Step 2:** Android phone (such as XIAOMI), turn on the WIFI, setting → other connection → WIDI;
- Step 3:** Tap the invitation acceptance button showed up on the projection screen during the connection.



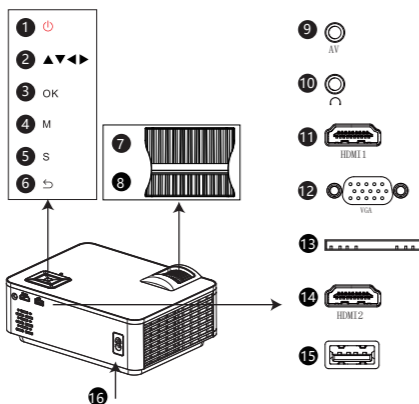
Different Android phones have different set path and name of Miracast will common names would be media output/projection screen/multi-screen interactive etc, the specific name is as the reference to the phone;

## 1 Notice

How to use the projector correctly:

- 1 Do not face to lens by eyes, it will hurt your eyes from hard Light of the projector when it's working.
- 2 Do not block the air outlet, to avoid damage from internal electronic device by projector can not cooling.
- 3 Do not use chemicals, Cleaner or water to clean, and also avoid rain, moisture and leucocratic liquid to corrode circuit board.
- 4 Please put the projector and accessories on the place that children can not reach.
- 5 Please make sure the projector working environment is dry and windy.
- 6 Do not place projector in too warm or too cold room, the high temperature or low temperature will Shorten lifespan of the device. The working environment would be 5°C~35°C better.
- 7 Do not put the projector in heating equipment (drying machine, microwave oven)to make it dry.
- 8 Do not press hard or put something heavy on the projector, it will damage projector.
- 9 Do not throw, beat, shake projector, it will damage circuit board in it.
- 10 Do not dismounting projector. Please contact after-sales service if you have any problem.
- 11 Do not fix by yourself. If projector can not working normally, please consult with after-sales service or depot repair.

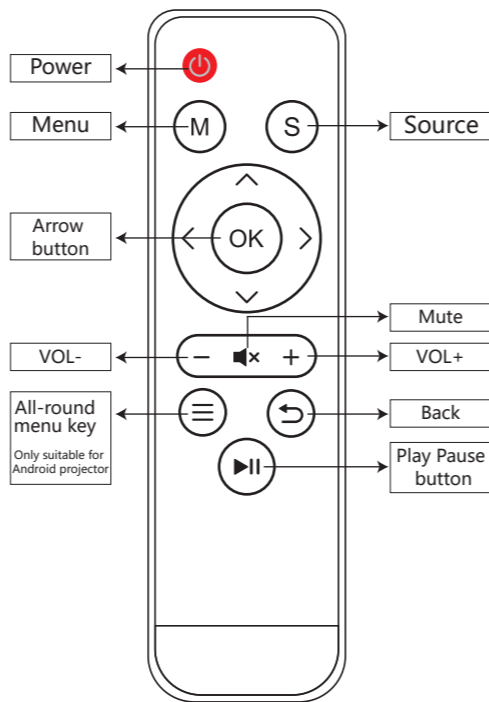
## 2 Product Overview



Note: please refer to the product appearance, this figure is for reference only.

1. Power
2. Arrow Keys
3. Confirm
4. Menu Button
5. Signal Source
6. Back
7. Lens Focussing
8. Keystone Correction
9. Audio, Video Input
10. Earphone/3.5mm Audio Out
11. Video HD1 Input
12. VGA Input
13. Media Card
14. Video HD2 Input
15. Multimedia Input
16. Power Input(110-240V)

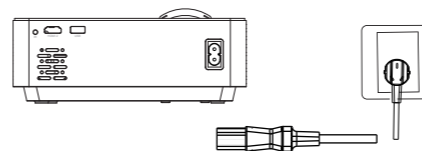
## 3 Remote Control



Only suitable for Android projector

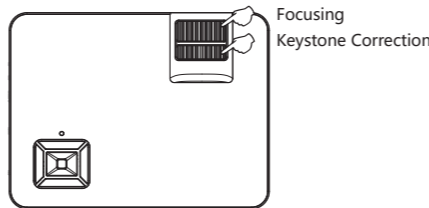
## 4 Power

- 1: Plug the power cord into a power outlet.
- 2: Press the button "⏻" on the projector or on the remote control.



### Keystone Correction

In different angel you put the projector, the projection will Deformation like trapezoid, use the keystone correction to make it correctly.

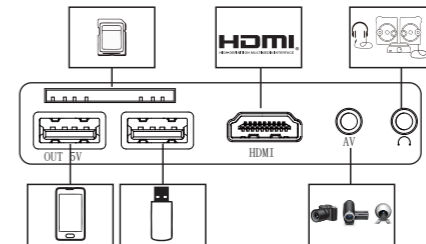


Note: please refer to the product appearance, this figure is for reference only.

### Image focus

Let projector be perpendicular to wall, with the Focusing button to make the picture clear. When focusing, you can broadcasting programs to help you finish focus.

## 5 Connecting



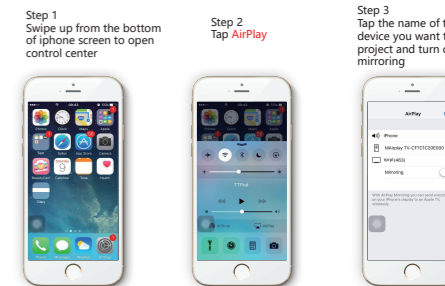
1. Signal source selection  
Press the projector front or the remote control signal source key "S", enter the signal source menu interface. Use the direction key and the confirmation key to select the signal source.
2. AV video equipment connecting
  - ①. Use the 3in 1 video tieline comes with projector to connect with AV.
  - ②. Choose the media signal channel : " AV" .
3. 2.HDMI or VGA equipment connecting
  - ①. VGA and HDMI interface can be connected with the computer and other with VGA HDMI output interface device.
  - ②. Choose the media signal channel : "HDMI" or "PC-RGB"
4. 3.5mm audio equipment connecting  
Support 3.5mm earphones and other cable soundequipment.

## 6 Screen Mirroring(iphone)

Airplay:  
This fuction could make projector and iphone/ipad share the same screen.

note:Make sure to connect projector and iphone to the same WIFI network(or the same WIFI hotspots) .

How to set on the iphone;



You can rename the projection device in the APP, withthe reference to the device;5G WIFI would be betterto avoid lagging in the mirroring screen.